

RegenTAP: Dual Breakout

10G | 10 Ports | Breakout, Aggregation and Regeneration Mode

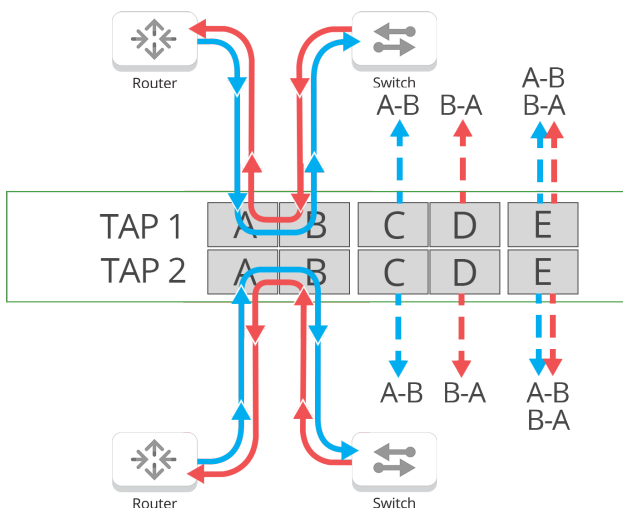


Network test access points (TAPs) are hardware tools that allow you to access and monitor your network. TAPs are purpose-built hardware devices that let you see every bit, byte and packet.®

Breakout TAPs are used to capture 100% full duplex traffic that can then be sent to a monitoring appliance to analyze your network. The RegenTAP: Dual Breakout allows you to TAP two links and provide two complete copies of data from each to the monitoring or security devices in your network.

Key Features

- Provide 100% copy of Tx/Rx traffic from single link and a second aggregation copy.
- Supports breakout, aggregation and regeneration/SPAN mode
- Supports jumbo frames
- Link Failure Propagation (LFP)
- 100% secure and invisible; no IP address, no MAC address; cannot be hacked
- Plug and play; no management
- Dual internal AC power supplies
- Made, tested and certified in USA



APPLICATIONS:

- Network & Application Monitoring
- Network & Application Analysis
- Network & Application Performance

+ Ideal for Direct Connect, SFP, QSFPs, active cable infrastructures.

SOLUTIONS:

Breakout TAPs are ideal for:

- Intrusion Detection Systems
- Application Performance Monitoring
- Lawful Intercept
- Packet Capture
- Deep Packet Inspection
- Network Analyzer
- Forensics

Competitive Edge

- Design supports breakout, aggregation and regeneration/SPAN modes.
- Tested and Certified.




Have Questions?

sales@garlandtechnology.com
+1 716.242.8500
garlandtechnology.com

RegenTAP: Dual Breakout

10G | 10 Ports | Breakout, Aggregation and Regeneration Mode

Model #	Ports	Network Speed	Ports	Power
INT10G2SSBA		10G	(10) SFP+	120W

Power Supply options	
PS10-HS-DC	DC -48vdc Power Supplies
PS10-HS-AC	AC Power Supplies *Two included with each order

Two (2) power supplies are required for each chassis

Available Pluggables & Cables:	
Model #	Description
SFP+SR10G	SFP+ 10Gigabit-SR Multi-Mode Fiber LC Connector - only supports 10G
SFP+LR10G	SFP+ 10Gigabit-LR Multi-Mode Fiber LC Connector - only supports 10G
SFP+T	10GBASE-T, SFP+ 100M/1G/10G RJ45 Copper
TWINAX1M**	Twinax Copper Direct Connect Cable SFP+ 10Gigabit 1 Meter

**Also available in 5 and 10 meters.

1U Chassis Specifications:

Max. system throughput:

Support for: SFP+ (SR, LR, ER)

Operating Temp: 0 to 40° C or 32 to 104° F

Operating Humidity: 5 to 95%

Dimensions (HxWxD):

1.719" x 8.325" x 17.434"

43.6626mm x 211.455mm x 442.8236mm

Airflow: 50 lF/m

(2) AC Power Supplies Included

MTBF: 140,000 hrs

APPROVALS:

Full RoHS compliance

EMC, FCC Class A, UL (Safety) Certifications

n South Africa:



This document is for informational purposes only. The information in this document, believed by Garland Technology to be accurate as of the date of publication, is subject to change without notice. Garland Technology assumes no responsibility for any errors or omissions in this document and shall have no obligation to you as a result of having made this document available to you or based upon the information it contains. ©2019 Garland Technology LLC. All Rights Reserved